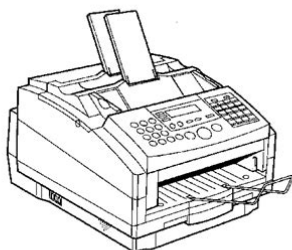


Canon
FAX-L300

Kezelési kézikönyv



MAGYAR

File Name: Canon fax l 2000 user manual.pdf

Size: 4612 KB

Type: PDF, ePub, eBook

Category: Book

Uploaded: 28 May 2019, 20:46 PM

Rating: 4.6/5 from 674 votes.

Download Now!

Please check the box below to proceed.



I'm not a robot



reCAPTCHA
Privacy - Terms

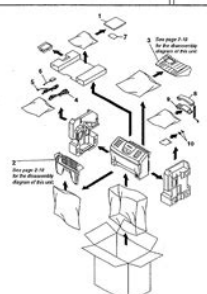
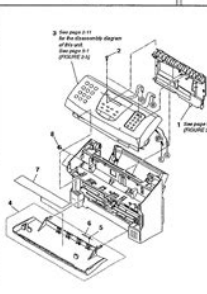
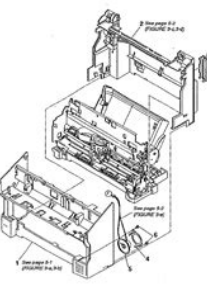
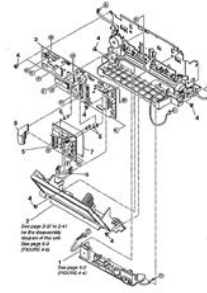
Book Descriptions:

Canon fax l 2000 user manual



Please refer to them for detailed information. The manuals supplied with optional equipment are included in the list below. Depending on the system configuration and product purchased, some manuals may not be needed. Guides with this symbol are PDF manuals included on the Guides with this symbol are printed manuals. Considerable effort has been made to ensure that this manual is free of inaccuracies and omissions. However, as we are constantly improving our products, if you need an exact specification, please contact Canon. Please read this manual thoroughly before operating the machine in order to familiarize yourself with its capabilities, and to make the most of its many functions. After reading this manual, store it in a safe place for future reference. This means that the Product does not produce hazardous laser radiation. Since radiation emitted inside the Product is completely confined within protective housings and external covers, the laser beam cannot escape from the machine during any phase of user operation. This socket is intended for connection of the Canon optional telephone. If required, an adapter to connect any piece of approved telecommunications apparatus is available from your Canon supplier. Then, contact your local authorized Canon dealer. Necklaces and other metal objects. Then, contact your local authorized Canon dealer. If the toner gets into your eyes or mouth, wash them immediately with cold water and immediately consult a physician. SEND UHQ Ultra High Quality Image Canon's ultra high quality image processing produces excellent reproductions of the documents you send and copy. Quality Images! Cut sheets OK! You don't need special recording paper. Automatic Dialing Includes onetouch and coded speed dialing, directory dialing, group dialing, and access code dialing methods which enables you to send the same document to several destinations by simply pressing a single key or just a few keys. <http://www.apartmentsjerusalem.com/userfiles/download-manually-ios-6.xml>

- **canon fax l2000 user manual, canon fax l2000 service manual, canon fax l 2000 user manual, canon fax l 2000 user manual pdf, canon fax l 2000 user manual download, canon fax l 2000 user manual free, canon fax l 2000 user manual instructions.**

1. ILLUSTRATION INDEX					
FIGURE 1	FAX-B155 PACKAGE CONTENTS	See Page 2-1	FIGURE 2	SCANNER UNIT & COVERS	See Page 2-3
					
FIGURE 3	MAIN COVER & SPEAKER	See Page 2-5	FIGURE 4	POWER SUPPLY UNIT & ASF & SCNT BOARD ASSY	See Page 2-7
					

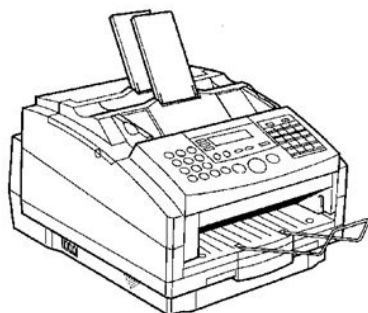
1-1

4/114

If the machine remains idle for a specified length of time, the machine automatically shuts itself down, and enters the low energy sleep mode. It remains in this low energy mode until the machine receives a document transmission or until you press Energy Saver. You may also want to check the machines installation, to confirm that it has been done correctly. Large equipment can generate electronic noise that can interfere with the operation of the machine. Choose a location that is clean and free from dust and moisture. Paper Cassette Optional 499 mm 629 mm 832 mm Handset Optional 499 mm 569 mm Space Around the Machine 111. Install the machine approximately 10 cm away from walls or other equipment. 112 Space Around the Machine. This machine is intended for domestic use. Do not attempt to use it outside the country where you purchased it. Do not plug the power cord into an extension cord connector or power strip shared with other plugs. Keep metal pins, paper clips, staples, and other objects away from the machine. If something falls into the machine, disconnect the plug from the power outlet, and call your local authorized Canon dealer. 116 General Precautions. Never tie the power cord into a knot, or wrap it around another object. To avoid paper jams, never unplug the power cord, open the printer cover, or remove a paper cassette during printing. As you unpack the machine, save the carton and packing material in case you want to move or ship the machine in the future. Remove the four polystyrene plastic blocks positioned on top of the main unit. Document Output Tray Document Feeder Tray Telephone Line. Lift and remove the top carton. Main Unit Unpacking Have You Got Everything 121. Unpacking Have You Got Everything 123. Front View 126 Parts of the Machine. <http://cslcedu.com/userfiles/download-manuale-wordpress-italiano.xml>

Canon **FAX-L300**

Kezelési kézikönyv



MAGYAR

A light that blinks green when the machine is transmitting or receiving documents, or b Document Extension Tray maintains a steady green when there are Open to support long documents during documents stored in memory. The shipping material is attached inside the main unit and inside the paper cassettes to protect delicate parts from vibrations during shipping. Shipping Tape Remove all shipping tape from the unit. 130 Removing the Shipping Material. Close the ADF cover. Open the printer cover. Printer Cover Removing the Shipping Material 131. Printer Cover Close the printer cover. 132 Removing the Shipping Material. Pull out the paper cassette, and remove it from the machine. Remove the shipping tape. Set the paper cassette down on a flat, stable surface. Removing the Shipping Material 133. To remove the orange key While pressing down on the bottom metal plate with one hand, turn the orange key counterclockwise to pull it out. Select your language from the supplied cassette handling precaution label and stick it to the part of the paper cassette indicated in the illustration below. For more details on how to reinsert the paper cassette into the machine, see step 6 of "Loading Paper into the Paper Cassettes", on p. 141. Protective Plastic Sheet The LCD display on the operation panel is covered with a plastic sheet to protect it during shipping. Installing the Toner Cartridge Install only a Canon FX7 Toner Cartridge in your machine. You will need this material later when you dispose of the cartridge after it has run out of toner. While holding the cartridge by the ends, rock it gently five or six times to distribute the toner evenly inside the cartridge. Close the printer cover. Remove the toner cartridge and insert it again. The back of the tray sits on top of the extended lip of the main unit. If the setting is correct, proceed to step 3. If the setting is not correct, set the paper guides to match the size of the paper that you are loading.

Press down the inside plate of the paper cassette. Assembling the Machine 143. Insert the stack of paper so that it fits neatly against the back of the paper cassette. Paper Limit Marks Hooks Hooks 144 Assembling the Machine. When you see the paper volume status bar drop, make sure you have a supply of paper on hand to refill the cassette. When you see the message Attach the handset cradle holder to the back of the cradle with the screws provided. Place the handset on the handset cradle. 148 Assembling the Machine. Connect the other end of the power cord to the power source. If the Error lamp starts blinking red, wait for one of the following messages to appear. Message

Description INSTALL CARTRIDGE You have not yet installed the toner cartridge. Operation Panel Parts and Functions. 22 OneTouch Panels Closed. Open the the machine. For details, see the PCL first panel to access keys 2548. Open the Printer Guide. For the FAXL2000, the second panel to access keys 4972. Open installation of the Printer Kit is necessary to the third panel to access the registration use these keys. If you want to use the entering email text. Enters a space between letters and. There are eight Additional Functions menu items for Data Registration. Using the Menus and Operation Panel Keys. In a display that requires a name entry, the letter or number in the upper right corner of the LCD display tells you the entry mode. For example, if you want to enter the word Press b until you see an upper case. To see some of the keys described below, you may have to open all three onetouch speed dialing panels. You can enter symbols in the Text Entry mode only. Each time you change the size of the paper you load in the paper cassettes, it is necessary to change the paper size setting using the CASSETTE menu in the PAPER SETTINGS menu. Setting the Paper Size for the Paper Cassettes 215. Make sure the edges of the paper stack are evenly aligned when loading. Using the MP Tray 219.



<http://www.bouwdata.net/evenement/4-speed-new-process-overdrive-manual-transmission>

Insert the paper stack as far as it will go into the main unit, with the side you want to print on facing up, and the top edge of the paper heading into the main unit first. The paper sensor for the MP tray is located to the right of the paper feed roller, when viewed from the front of the machine. Remove and store any remaining print media. Hold down the corners of the envelopes firmly as shown in the illustration below, so that they and the sealed or glued portion stay flat. In such a case, it is recommended to change the type of envelopes. 224 Using the MP Tray. The machine automatically switches to face up delivery. The faceup tray is particularly useful for heavier paper. To open the faceup tray, take hold of its tab, and pull down the tray a. Grasp the end of the faceup tray, and pull it out until it locks b. This ensures that the machine consumes less power when it is not being used. Turning the Energy Saver Feature ON Open all three onetouch speed dialing panels. If you want to use the Auto Clear function, select, and proceed to step 4. If you do not want to use the Auto Clear function, select, and proceed to step 5. Flow of Checking Operations. 32 Checking the Fax Jobs. You can check the status of fax jobs or copy jobs on the LCD display. Monitor FAX MONITOR FAX

MONITOR 1. Press Stop to return to the Standby mode. Canceling with the Stop key Press Stop. The scanning stops and the job will be canceled. Some of these features also enable you to keep track of fax transactions and copy printing based on division numbers that you can assign to individuals or sections inside your company. You can also set the machine to receive and store all documents in memory using Memory Lock feature. Setting of the System Administrator's password is optional. If you set the System Administrator's password, you must enter the password every time you enter the SYSTEM SETTINGS menu.

<https://dyodocs.com/images/browning-archery-owners-manual.pdf>

CANON

FAX – L2000

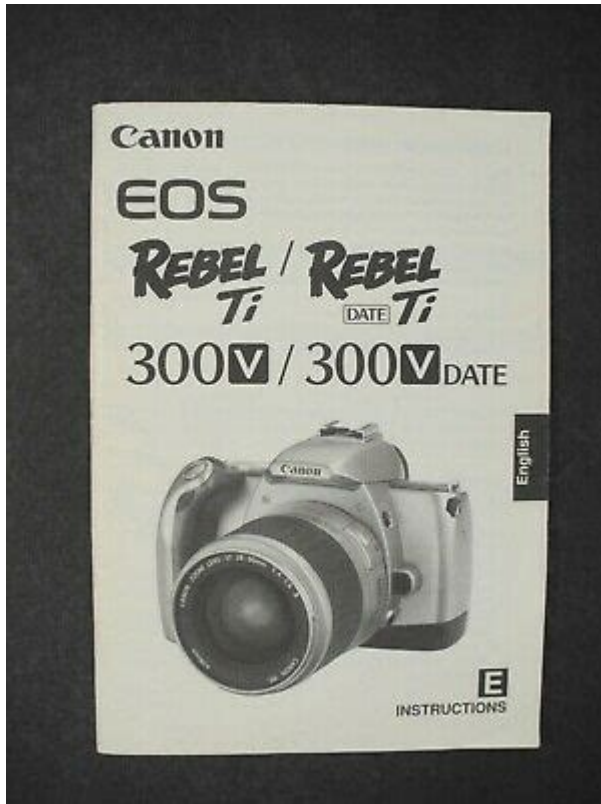
SIMPLIFIED

GUIDE

You can also use the System Administrator's ID and password instead of the Department ID and password when you are asked to enter the Department ID and password to begin operating the machine. We first show you how to set the Department ID and password to restrict the sending and copying operations. Then we show you how to temporarily turn ON or OFF the restrictions, how to restrict the use of the telephone, and how to operate the machine with restrictions ON. Open all three onetouch speed dialing panels. If you press Hook, you will not hear a dial tone. Open all three onetouch speed dialing panels. Open all three onetouch speed dialing panels. COUNT MANAGEMENT COUNT INFORMATION 1. COUNT INFORMATION 1. PRINT COUNT To check the print counter. However, there may be occasions when you want the machine to store all documents in memory until you are ready to print them. FAX SETTINGS SYSTEM SETTINGS 7. SYSTEM SETTINGS 1. MEMORY LOCK RX If the prompt is displayed, enter the System Administrator's password using the numeric keys press OK. This setting affects only reports that print automatically, such as activity reports for sending and receiving, and Activity Management Reports. Opening the Additional Functions Menu. 52 Paper Settings. Open all three onetouch speed dialing panels. Setting Procedure Open all three onetouch speed dialing panels. The MP tray can be used as a paper supply for fax, copy, report, and printer functions. MP PAPER SIZE Select the paper size you are loading in the MP tray. Setting Procedure Open all three onetouch speed dialing panels. Common Settings.

Setting Procedure Open all three onetouch speed dialing panels. Setting Procedure Open all three onetouch speed dialing panels. If the prompt. PASSWORD You do not have to do this if the system settings are not yet password protected. See Chapter 4, "Restricting the Use of the Machine." 1. Storing Recording Paper.. 62 Recommended Paper.

<http://dzkgjy.com/images/browning-auto-5-light-12-manual.pdf>



For instructions on how to load the recording paper, see "Loading Paper into the Paper Cassettes", on p. 141, and "Loading Paper into the MP Tray", on p. 216. Place the cartridge on a stable, flat, clean surface, and snap the tab on the side to detach it from the cartridge. As you steady the cartridge with one hand, remove the tape by gently pulling the plastic tab straight out with your other hand. Gently slide the cartridge into the machine until it is completely down and in a level position. Close the printer cover. Remove the toner cartridge and insert it again. Handling Cartridges Always place toner cartridges down with the FX7 toner label on the cartridge facing up. Handle the toner cartridge with care. Before you clean the machine, print all of the documents received and stored in memory. Cleaning the Main Unit Before you clean the machine, disconnect the power cord of the main unit from the power source. Lift the document feeder tray and document output tray. Open the printer cover, and remove the toner cartridge. Transfer Guide While holding the green label, flip the transfer guide up to its full extent. Wipe the edge of the transfer guide with a soft, clean cloth, to remove toner and paper dust from both sides of the transfer guide. Then, gently place the transfer guide back into its original position. If the underside of the ADF Automatic Document Feeder cover or the scanning glass is dirty, the documents you send may look dirty. Check if some streaked lines which do not exist on the original appear on the output when scanning the original using the ADF. Top Unit Correct Incorrect Lower Unit Lower unit is not lifted. Lower unit is lifted. Open the top unit of the ADF cover, and clean all the rollers. Use a dry cloth to wipe clean the underside of the ADF cover and to wipe up the paper dust around the rollers. Gently lift the ADF cover up to its full open position. Periodic Cleaning 617.

Use a soft, dry cloth that will not scratch the scanning glass to wipe clean the underside of the ADF cover and to wipe up the paper dust around the rollers. Close the ADF cover, and press down on it slightly until you hear it lock into place. Then, lower the document feeder tray. In such a case, clean the roller. Load A4 size paper in the MP tray to clean the roller. Open all three onetouch speed dialing panels. Please contact your local authorized Canon dealer when you run out of ink.

Disconnect the power cord of the main unit from its power source. Gently lift the ADF cover up to its full open position. Refilling the Stamp Ink Compartment Optional 623. Place the end of the black, plastic loop over the end of the stub, so that it stays in place. Refilling the Stamp Ink Compartment Optional 625. Then, lower the document feeder tray. If a paper jam occurs during scanning, the Error lamp blinks red, and the following message appears on the LCD display CHECK DOCUMENT. Close the ADF cover, and press down on it gently until you hear it lock into place. Clearing Document Feed Jams. Open all three onetouch speed dialing panels. You should check each location for jammed paper, and remove it carefully. If a paper jam occurs in any of the areas shown below, use the table to direct you to the proper section to help you clear the jam. 3. This happens when the trailing edge of the paper is still within the paper feed area. Follow the procedure from step 2 on p. Hold up the faceup tray slightly a to release the lock pin b c which is located on the right side of the tray. Clearing Printer Feed Jams. Remove the jammed paper. If you can see the edge of the paper Gently remove the jammed paper. Clearing Printer Feed Jams. After the paper's edge has rolled out, pull the paper forward carefully. The hooks automatically catch the lock pins. Imaging Area Lift the document feeder tray and document output tray. Open the printer cover, and remove the toner cartridge.

<http://furkansigorta.com.tr/wp-content/plugins/formcraft/file-upload/server/content/files/16270ffa69435d--bowflex-ultimate-2-exercise-manual.pdf>

Clearing Printer Feed Jams 711. If you see the edge of the jammed paper in the imaging area, remove the paper by pulling it slowly. For details on clearing a paper jam in the Imaging area, see "Imaging Area", on p. If you can see the edge of the paper Locate the jammed paper inside the main unit, and gently pull it out. Pull the green lever on the left front of the machine to open the bottom of the duplexer. Green Lever 716 Clearing Printer Feed Jams. Duplexer Push the bottom of the duplexer back up until it clicks into place. Duplexer Clearing Printer Feed Jams 717. If the Error lamp does not stop blinking, there is still jammed paper inside the machine. Check the other areas of the machine to clear all paper jams. When errors are recorded in reports, note the error code number, and check it against the table below to learn more about what caused the error and how to remedy it. Remedy Contact your local authorized Canon dealer where you purchased your Canon product for assistance. 722 Error Code Table Listed by Number If the message remains on the LCD display and the machine does not return to the Standby mode, call your local authorized Canon dealer. CHECK PRINTER COVER Cause The printer cover is not closed completely. Remedy You have to enter the Department ID and password if set in order to operate the machine. HANG UP PHONE Cause The transaction has completed, but the handset is not sitting completely on its cradle. Remedy Clear the paper jam. See "Clearing Printer Feed Jams", on p. 75. REPLACE CARTRIDGE Cause The toner cartridge has run out of toner. Remedy Replace the toner cartridge. Copying Documents You cannot copy. Cause The toner cartridge is out of toner. Remedy Check the toner cartridge, and if you find it empty, replace it with a new one. See "Changing the Toner Cartridge", on p. Specifications. 82 General. General Item Specification Sheet Size Max. There is a margin around the paper, and the size of the margin differs slightly with the paper size.

cousinsconstructionservices.com/app/webroot/files/concepts-of-programming-languages-8th-edition-solution-manual.pdf

5 mm max. A4 9.9 mm max. We have 4 Canon FAXL2000 manuals available for free PDF download Facsimile Manual, Reference Manual, Quick Reference Manual, Simplified Manual. Be sure to check

that it is the user manual to exactly the device that you are looking for. In our database Canon FAX L2000 it belongs to the category Fax Machine. A user manual Canon FAX L2000 is taken from the manufacturer, a Canon company it is an official document, so if you have any doubts as to its contents, please contact the manufacturer of the device Canon FAX L2000 directly. You can view the user manual Canon FAX L2000 directly online or save and store it on your computer. If you have any questions, you can ask them in the form below. Other users viewing this website will have the opportunity to help you solve your problem with Canon FAX L2000. Remember that you can also share the solution. If you solved the problem yourself, please write the solution to the problem with Canon FAX L2000 you will surely help many users by doing so. Ask a question our users can help you. Discover everything Scribd has to offer, including books and audiobooks from major publishers. Report this Document Download Now save Save 1763811 Canon L2000 L2000ip Fax Machine Service Ma. For Later 0 ratings 0% found this document useful 0 votes 2K views 273 pages 1763811 Canon L2000 L2000ip Fax Machine Service Manual Uploaded by Nic Cowpe Description Full description save Save 1763811 Canon L2000 L2000ip Fax Machine Service Ma. For Later 0% 0% found this document useful, Mark this document as useful 0% 0% found this document not useful, Mark this document as not useful Embed Share Print Download Now Jump to Page You are on page 1 of 273 Search inside document Browse Books Site Directory Site Language English Change Language English Change Language. This page requires Javascript. Modify your browsers settings to allow Javascript to execute. See your browsers documentation for specific instructions.

To install your download click on the name of the downloaded file. Warranty replacement shall not extend the warranty period of the malfunctioning Product. This warranty shall not extend to consumables, such as paper, as to which there shall be no warranty or replacement. You will be responsible for installing the user replaceable items in your Product. Repairs of such Canon brand peripheral equipment shall be governed by the terms of the Separate Warranty. Nor does this warranty extend to any Product on which the original identification marks or serial numbers have been defaced, removed, or altered. The warranty in the preceding sentence applies to Toner and Drums A defective Toner or Drum returned to Canon U.S.A., Inc., Canon Canada, Inc. or an The warranty period for any Drum i.e. Canon USA, Inc., Canon Canada, Inc. or a Dealer. To obtain the shipping address of Canon U.S.A, Inc. or. Canon Canada, Inc., please call the Canon U.S.A., Inc. Help Desk at 18008284040 or Canon Canada Technical. Support at 1800OKCANON. Shipping charges, if any, must be prepaid. If your Toner or Drum is covered by this Inc. or the Dealer from whom you purchased the Toner or Drum. Toner or Drum yield will vary depending on average density of originals copied and other Canon which damage the Toner or Drum or cause abnormally frequent service calls or service problems. Nor does Keep from contact with oxidizing materials. Refer to instructions for handling and storing. The driver may be included in your OS or you may not need a driver. Recommended Drivers File Name Date File Size Optional Drivers File Name Date File Size Recommended Software File Name Date File Size Optional Software File Name Date File Size Recommended Manuals File Name Date File Size Optional Manuals File Name Date File Size Scroll down to easily select items to add to your shopping cart for a faster, easier checkout.

Visit the Canon Online Store It provides up to two full years of service and support from the date you purchased your Canon product. Protect against unforeseen repair costs, excessive downtime, and enjoy peace of mind for years to come knowing your new equipment is fully covered. It provides up to three full years of service and support from the date you purchased your Canon product. Protect against unforeseen repair costs, excessive downtime, and enjoy peace of mind for years to come knowing your new equipment is fully covered. It provides up to four full years of service and support from the date you purchased your Canon product. Protect against unforeseen repair costs, excessive downtime, and enjoy peace of mind for years to come knowing your new equipment is fully covered. It provides up to five full years of service and support from the date you purchased your Canon product. Protect against unforeseen repair costs, excessive downtime, and enjoy peace of mind for

years to come knowing your new equipment is fully covered. EOS M og EOS Rserierne af spejllose fullframekameraer leverer samme styrke som et digitalt spejlreflekskamera i et kompakt kamera. Fa mere at vide om vores brug af cookies og rediger dine cookieindstillinger her. Du accepterer vores brug af cookies pa din enhed ved at fortstte med at bruge vores webside eller ved at klikke pa Jeg accepterer. Det tager 1 minut og vil hjelpe os med at forbedre vores supportwebsted. After you nish reading this guide, store it in a safe place for future reference. Zakladni p r iru c ka C esky Nejd r ive si p r e c t e te tuto p r iru c ku. P r ed spust e nim za r izeni si p r e c t e te tuto p r iru c ku. Po p r e c teni p r iru c ku ulozte na bezpe c nem mist e, abyste ji m e li v budoucnu k dispozici. Upute za po c etak koristenja Hrvatski Najprije pro c itajte ovaj priru c nik. Prije koristenja proizvoda pro c itajte ove upute. Ba s lang c K lavuzu Turkce Once bu k.

Les denne vejledning, inden du tager produktet i brug. Nar du har lst vejledningen, skal du gemme den et sikkert sted til senere brug. Guia de inicio Espanol Lea esta guia primero. Por favor, lea esta guia antes de usar este producto. Despues de leer esta guia, guardela en un lugar seguro para posteriores consultas. Guide de demarrage Francais Veuillez d'abord lire ce guide. Lisez ce guide avant d'utiliser ce produit. Apres avoir pris connaissance de son contenu, conser vezle dans un endroit sur pour pouvoir le consulter en cas de besoin. Telepitesi kezikonyv Magyar El o szor ezt az utmutatot olvassa el. Olvassa el ezt a kezikonyvet a termek hasznalata el o tt. Az elolvasas utan gondosan o rizeze meg. Ghid de punere rapid a in func t iune Roman a Citi t i mai intai acest ghid. V a rug a m s a citi t i acest ghid inainte de utilizarea acestui produs. Darba s a ksanas rokasgra mata Latviesu Vispirms izlasiet so rokasgra matu. Pirms iek a rtas izmantosanas, l u dzu, izlasiet so rokasgra matu. P e c izlas i sanas rokasgra matu nolieciet dros a viet a, lai to var e tu izmantot ar i turpm a k. Startveiledning Norsk Les denne veiledningen forst. Les denne veiledningen for du bruker produktet. Oppbevar veiledningen pa et trygt sted etter du har lest den, slik at du kan.Beknopte handleiding Nederlands Lees eerst deze handleiding. Lees deze handleiding zorgvuldig door voordat u het product gaat gebruiken. Bewaar de handleiding na het doorlezen op een veilige plaats, zodat u deze later nog kunt raadplegen. Guida all'avvio Italiano Leggere questa guida. Leggere questa guida prima di iniziare ad utilizzare il prodotto. Terminata la lettura, conservare la guida in un luogo sicuro per eventuali consultazioni. Przewodnik wprowadzaj a cy Polski Nale z y najpierw przeczyta c niniejszy podr e cznik. Przed rozpocz e ciem pracy z urz a dzeniem nale z y przeczyta c niniejszy podr e cznik.

Po przeczytaniu instrukcji nale z y j a przechowywa c w bezpiecznym miejscu, na wypadek gdyby by l a potrzebna w przysz l o s ci. Za c etna navodila Slovens c ina Najprej preberite ta priro c nik. Pred uporabo izdelka preberite ta navodila. Pries naudodami produkt a, perskaitykite si a instrukcij a. Perskait e si a instrukcij a, j a saugiai pasid e kite, kad gal e tum e te naudotis ateityje. Aloitusopas Suomi Lue tama opas ensin. Lue tama opas ennen tuotteen kayttamista. Kun olet lukenut oppaan, sailyta se myohempaa kayttoa varten. Manual Inicial Portugues Leia este manual primeiro. Leia este manual antes de utilizar o produto. Apos ter lido o manual, guardeo num local seguro para consultas futuras. Handbuch fur Starter Deutsch Bitte lesen Sie dieses Handbuch zuerst. Bitte lesen Sie dieses Handbuch, bevor Sie mit dem Produkt arbeiten. Nachdem Sie das Handbuch gelesen haben, bewahren Sie es zum Nachschlagen an einem sicheren Ort auf. Uvodna priru c ka Slovensky Tuto priru c ku si pre c itajte ako prvu. Skor ako za c nete zariadenie pouziva t, si pre c itajte tuto priru c ku. Tutvuge enne toote kasutamist hoolikalt selle juhendiga. Kui olete juhendi labi lugenud, pange see edasiseks kasutamiseks kaeparasesse kohta. Starthandbok Svenska Las den har handboken forst. Las handboken innan du anvander produkten.Error e2250002ManualsPDF. ru. Advanced Gday Sign in to bid or buy eBay Deals Coles on eBay Help Sell Watch List Expand Watch list Loading. Something went wrong. Sell on eBay Sell Fax Machines User Agreement, Privacy, Cookies and AdChoice Norton Secured powered by Verisign. We delete comments that violate our policy, which we encourage you to read. Discussion threads can be closed at any time at our discretion. Drivers and applications are compressed.You may download and use the Content solely for your personal,

noncommercial use and at your own risks.

Canon shall not be held liable for any damages whatsoever in connection with the Content, including, without limitation, indirect, consequential, exemplary or incidental damages. You shall also not and shall not let others reproduce, modify, reformat or create derivative works from the Content, in whole or in part. And by having access to our ebooks online or by storing it on your computer, you have convenient answers with Canon Fax User Guides. To get started finding Canon Fax User Guides, you are right to find our website which has a comprehensive collection of manuals listed. Our library is the biggest of these that have literally hundreds of thousands of different products represented. I get my most wanted eBook Many thanks If there is a survey it only takes 5 minutes, try any survey which works for you.

<http://superbia.lgbt/flotaganis/1648176655>