



File Name: canon s600 printer service manual.pdf

Size: 2755 KB

Type: PDF, ePub, eBook

Category: Book

Uploaded: 24 May 2019, 20:28 PM

Rating: 4.6/5 from 580 votes.

Status: AVAILABLE

Last checked: 17 Minutes ago!

In order to read or download canon s600 printer service manual ebook, you need to create a FREE account.

[**Download Now!**](#)

eBook includes PDF, ePub and Kindle version

[Register a free 1 month Trial Account.](#)

[Download as many books as you like \(Personal use\)](#)

[Cancel the membership at any time if not satisfied.](#)

[Join Over 80000 Happy Readers](#)

Book Descriptions:

We have made it easy for you to find a PDF Ebooks without any digging. And by having access to our ebooks online or by storing it on your computer, you have convenient answers with canon s600 printer service manual . To get started finding canon s600 printer service manual , you are right to find our website which has a comprehensive collection of manuals listed.

Our library is the biggest of these that have literally hundreds of thousands of different products represented.



Book Descriptions:

canon s600 printer service manual



In the event of major changes in the contents of this manual over a long or short period, Canon will issue a new edition of this manual. The following paragraph does not apply to any countries where such provisions are inconsistent with local law. Part 1 Product Specifications Product overview and specifications. Part 2 Troubleshooting A guide to troubleshooting the product and identifying parts needing replacement. Troubleshooting solutions are listed according to the error indications displayed by the status indicator and by problem descriptions. This printer targets business users who need high-quality text printing or DTP printouts and personal users who want high-speed printing or a good printer to print information from the Internet. Output Tray BJ Cartridge Power Cord Ink Tank Instruction Manuals Ink Tanks Printer Figure 15 Packing Configuration There is no storage box for storing the BJ cartridge. The printer's BJ cartridge print head will be supplied only as a spare part for servicing. Table 11 PARTS CODE Item Designation Parts Code. You can operate the printer either by itself or with a computer. Both methods are explained below. 1.1 Printer Operation Procedure The printer's operation panel has a POWER button and a RESUME button to cancel printing operation or to cancel an error. To conduct the operations below, with the power turned on, hold down the RESUME button until the green indicator blinks for the specified number of times. With the printer turned on, hold down the RESUME button until the green indicator blinks once. The cleaning of the rollers will then start. There are two cleaning methods 1 Passing plain paper through Place a sheet of plain paper on the auto sheet feeder and execute roller cleaning. Problem Probable Cause Solution The printer does not The power outlet is not supplying Connect the AC cord to a power operate at all. Procedure Head power ON within dotted line executed. Closed Move carriage to home position Not present Head present. <http://www.eggo-ural.ru/uploads/dvb-s-sl65-manual.xml>

- **canon s600 printer service manual, canon s600 printer service manual download, canon s600 printer service manual pdf, canon s600 printer service manual free, canon s600 printer service manual 2017.**



Present Back to 1 Inklow detection. The print head 1. BJ cartridge, 2. BJ cartridge 1. BJ cartridge, carriage unit Orange Cartridge error. Checksum error at soft power ON. The ink path includes the BJ cartridges ink tank supply inlet, the BJ cartridges ink filter, the ink nozzles, head cap, wiper, and wasteink absorber. As for the disassembly procedure, refer to the Parts Catalog. The illustrations in the Parts Catalog are numbered according to the order of disassembly. 3.3.1 Carriage lock release Normally, when a cartridge is installed on the carriage and the power is turned off, the printer moves the carriage to the capping position to lock it. The removed tap screws will have residue from the mold in which the internal thread was made. Since the residue may crush the screw threads, clean off the residue from the tap screws before reinstalling or use new tap screws. If grease gets on the encoder film, the films slits will not be read correctly, resulting in error. Grease may soil the blade as a result. You must not allow any grease or oily substance to adhere to the blade. ROM Cover Guide Rail Figure 210 Installing the ROM Cover 220. Use a flat brush to spread a thin coat of grease. When applying grease, be careful not to get any grease on the wiper and cap. After the CMY printing by the first pass, CMY is printed again in the same way during the second pass. Then do a test printout to check the results. The procedure is described in 7.1 Service Mode Operations on page 229 1 After control board replacement If the wasteink absorption amount is over 7 percent according to a visual check at the time you replace the control board, also replace the wasteink absorber. Make sure that the encoder film is clean. If the BJ cartridge print head is not on the carriage, the ink may dry and harden. You can use the operation panel to switch to the service mode. 7. <http://cnkb.ru/userfiles/dvb-rcs-manual.xml>



1 Service Mode Operations 1 With the printer turned off, hold down the RESUME button and press the POWER button the green indicator lights and the desired service function can be selected. With the resulting printout, you can see the settings and data saved in the printer. Therefore, after replacing the wasteink absorber, be sure to reset the total wasteink absorption amount. The nozzles to be heated are selected according to logical blocks of 16 nozzles divided from among the nozzle arrays. In the case of the black nozzles, they are divided into 10 blocks. The vertical resolution applies to two nozzle arrays for each color. In the case of black, the two nozzle arrays have 300 dpi. Since their relative position to each other has been shifted by 600 dpi, both nozzle arrays together attain 600 dpi resolution. By shifting the printing timing with multiple passes during printing, one raster is printed with multiple nozzles. If pigment ink is used for highduty printing, smear control can delay the printing operation right before the next sheet of paper is stacked on the printed sheet. Cover Sensor SW Internal Temperature Sensor Paper Feed Encoder Paperend Sensor Purge Sensor Carriage Encoder ASF Sensor Figure 35 Location of Sensors 1.4.2 Paperend sensor The photo interruptertype, paperend sensor detects the paper with the paper sensor arms flag when the edge of the paper passes through the paper feed section. At the bottom of the ink tank is an indentation that works like a prism. When there is ink in the ink tank, the refractive index of the ink and the prisms resin material is about the same. When the printers internal temperature changes, the thermistors resistance also changes accordingly and the change in the resistance is detected by the MPU as a change in voltage. Each part is explained below. Carriage Paper Feed Section Carriage Figure 38 Printers Mechanical Parts 3.1.1 Carriage. Paper feed Paper is fed automatically by the auto sheet feeder.

The auto sheet feeder is driven by the paper feed motor. Paper of various sizes up to legal size can be stacked and fed automatically the paper is transported to the paper transport section. The purge sections functions consist of capping and cleaning. It is a constantvoltage motor operating with a 12 phase drive. Compared to previous ASF systems, it has a very strong paper feed force. It operates with a 48 MHz external clock not synchronized with the CPU. The transfer clock is 6 MHz. Since data latch occurs at the clocks startup and shutdown, the data transfer speed is faster. Also, the print head heaters heating is executed with a single pulse or double pulse. This driver is a PWM pulsewidth modulation IC that changes the currents pulse width to control the output. It thereby controls the motor. The pulsewidth control is defined by the serial data 10 bit from the printer controller. Cleaning is executed for maximum effectiveness and efficiency. The cleaning operation is selected depending on the respective condition. Table 31 PRINTING MODE LIST Monochrome Printing Resolution dpi This makes it completely compatible with bidirectional printing. Also, the relative position of the two nozzles is shifted by 600 dpi for black and by 1200 dpi for color.

Compatible Mode Nibble Mode ECP Mode STROBE HostClk HostClk DATA1 Data1 Data1 DATA2 Data2 Data2 DATA3 Data3 Data3 DATA4 Data4 Data4 DATA5 Data5 Data5 DATA6 Data6 Data6 DATA7 Data7 Data7 DATA8 Data8 Data8. J2 Carriage Ribbon Cable Connector page 45 CN202 Carriage Ribbon Cable Connector Pin Description. J3 Carriage Ribbon Cable Connector page 45 CN203 Carriage Ribbon Cable Connector Pin Description. Discover everything Scribd has to offer, including books and audiobooks from major publishers. Start Free Trial Cancel anytime.

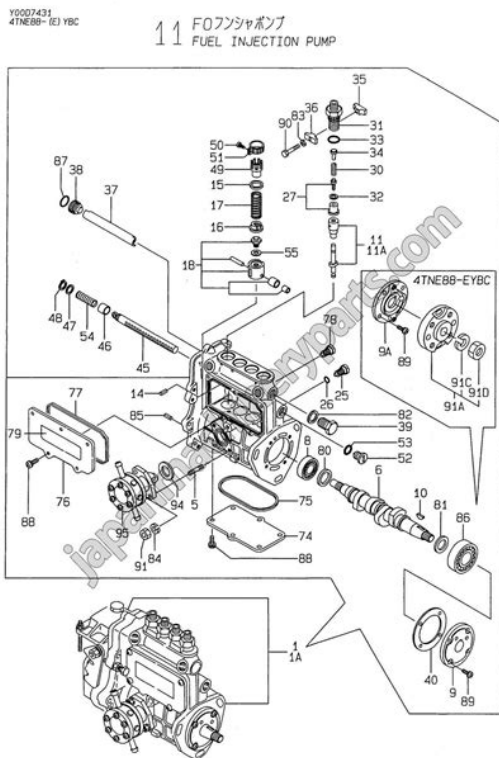


<http://eco-region31.ru/bosch-shv55m03gb-user-manual>

Report this Document Download Now save Save Service Manual Printer Canon S600 For Later 0 ratings 0% found this document useful 0 votes 33 views 87 pages Service Manual Printer Canon S600 Uploaded by mateus98 Description Full description save Save Service Manual Printer Canon S600 For Later 0% 0% found this document useful, Mark this document as useful 0% 0% found this document not useful, Mark this document as not useful Embed Share Print Download Now Jump to Page You are on page 1 of 87 Search inside document Browse Books Site Directory Site Language English Change Language English Change Language. Please do not offer the downloaded file for sell only use it for personal usage. Looking for other manual For this no need registration. May be help you to repair. You could suffer a fatal electrical shock. Instead, contact your nearest service center. Note! To open downloaded files you need acrobat reader or similar pdf reader program. In addition, Also some files are djvu so you need djvu viewer to open them. These free programs can be found on this page needed progs If you use opera you have to disable opera turbo function to download file. If you cannot download this file, try it with CHROME or FIREFOX browser. Translate this page Relevant PRINTER forum topics Canon I350 Service Manual Sziasztok! Keresem a fenti nyomtato Service Manualjat kulonos tekintettel a mechanikus reszekre! robbantott abra . Segitsegetek elore is koszonom! Leiszt Jani. A keszulek Orosz Andras baratome oribandi frissen regisztralt forumtarsunke a kerdesekre o valaszol!A temaban megjelolt nyomtatorol lenne szo. Persze nincs nyitva ajto, hacsak nem erzekelo hiba. De melyik ajto lehet Nem 1, es nem is 2 van rajta. . Van esetleg valakinek manualja hozza, vagy esetleg talalkozott mar valaki ezzel a hibaval Segitsegeteket elore is koszonom!Baratom Canon PCD 450es gepe kerult hozzam E007es hibakoddal.A kemenceben a film

volt elhasznalodva teflonreteg serult.

<https://www.acoustiguard.com/images/c60-manual-transmission.pdf>



21

Film es nyomohenger csere utan is ugyan az a hibakod.Tud valaki egy szerviz konyvvel vagy legalabb egy hibakod tablazattal segiteni vagy egy ottlettel hogy mi okozhatja a hibat. A neten kereselve nem sok infot talaltam rola, a legertelmesebb talan a firmware upgrade volt. Talalkozott mar valaki ezzel a hibaval. Es hogyan oldotta meg. Similar manuals You can write in English language into the forum not only in Hungarian. Translate this page Relevant PRINTER forum topics Canon iP4500 Udv! Szervizkonyvet keresek a fenti nyomtatohoz. A nyomtatofej csatlakozo kiosztasanak is orulnek. Koszonom!A fenti hordozhato fenymasolat probaltak mar valahol javitani,de nem tul sikeresen. A papirt felig huzza csak be es elakadt jelzessel le all. A lapadagolo fogaskerekei, ugy tunik nem jól vannak összeforgatva. Valakinek van benne rutinja,vagy valami segedlete. Canon MG 5650 eddig nyomtatott lapszam megtekintese udv masfel eve kaptam karacsonyra ezt a nyomtatot. Mar egyszer csereltem az osszes patronnt. Tavasz ota megint 4 darabot. A problemam az, hogy alig van hasznalva a gep, hetente 12 oldal, rajz, szamla megis gyanusan eszi a tintat, eddig kb 25e Ftot koltottem. A nyomtatások 90 %a fekete, de a szines tintak is gyorsan fogynak. Hogyan tudom megnezni az eddig nyomtatott osszes lap szamat A kezelesiben nem talalom. A hozzavalo patronok tipusa a mellekletben. Balint CANON MP360 nyomtato fejet keresek Sziasztok! Fejet keresnek a fenti nyomtatohoz. This page requires Javascript. Modify your browsers settings to allow Javascript to execute. See your browsers documentation for specific instructions. To install your download click on the name of the downloaded file.Scroll down to see your support options. You can also click one of these links to search our extensive Knowledge Base or visit the Canon Community Forum. Results may vary based on individual environmental factors. Accelerated test conditions on Photo Paper Pro Canon Inc.

<http://www.friendshiptransport.net/images/c61r2aee-4-burner-ceramic-hob-manual.pdf>



The expressed number of years is the result of simulated testing conducted by Canon Inc. This number of years does not apply for paper fading or durability. The driver may be included in your OS or you may not need a driver. Recommended Drivers File Name Date File Size Optional Drivers File Name Date File Size Recommended Software File Name Date File Size Optional Software File Name Date File Size Recommended Manuals File Name Date File Size Optional Manuals File Name Date File Size Warranty repair or replacement shall not extend the original warranty period of the Product. A dated proof of purchase is required at the time of warranty service. A copy of your dated bill of sale will satisfy this requirement. This warranty does not cover any accessories, or any consumables, such as paper or ink cartridges, as to which there shall be no warranty or replacement. Repairs of such Canon brand peripheral equipment shall be governed by the terms of the Separate Warranty. The sole warranty, if any, with respect to such nonCanon brand items is given by the manufacturer or producer thereof. Without limiting the foregoing, dropping the Product, scratches, and abrasions will be presumed to have resulted from misuse, abuse or failure to operate the Product as set forth in the users manual or other documentation for the Product. If the problem cannot be corrected over the telephone, and you elect the InstantExchange option, a reference number will be issued to you. You will be asked for the Product serial number and other information pertaining to your Product and for a ship to location for the replacement Product must include street address. After receipt of the replacement Product with instructions and a prepaid waybill, follow the enclosed instructions on how to ship your product to the Canon USA repair facility.

Your Product must be returned in the shipping carton in which the replacement Product was packed and include the reference number, A COPY OF YOUR DATED PROOF OF PURCHASE BILL OF SALE, and a complete explanation of the problem. Canon USA does not guarantee same day shipment in the event of the occurrence of factors beyond its reasonable control. The replacement Product you receive may be a refurbished or reconditioned unit and will be covered for the balance of the period remaining on your original limited warranty. Warranty repair or replacement shall not extend the original warranty period of the Product. The sole warranty, if any, with respect to such nonCanon brand items is given by the manufacturer or producer thereof. If the problem cannot be corrected over the telephone, and you elect the InstantExchange option, a reference number will be issued to you. You will be asked for the Product serial number and other information pertaining to your Product and for a ship — to location for the replacement Product must include street address. The Canon USA repair facility will ship out the replacement Product prepaid by Canon USA. After receipt of the replacement Product with instructions and a prepaid waybill, follow the enclosed instructions on how to ship your product to the Canon USA repair facility. The replacement Product you receive

may be a refurbished or reconditioned unit and will be covered for the balance of the period remaining on your original limited warranty. InstantExchange warranty service is subject to the availability of refurbished or new replacement units. Canon U.S.A., Inc. One Canon Park Melville, NY 11747 USA Scroll down to easily select items to add to your shopping cart for a faster, easier checkout. Visit the Canon Online Store Tired of trying to make your handwriting legible in order to illustrate a point.

<http://cameronhaddock.com/wp-content/plugins/formcraft/file-upload/server/content/files/16272d8c1edf0b--bridgeport-cherrying-head-manual.pdf>

For your next important meeting, you can make impressive charts and graphs with these clear, overhead transparencies, printed right from your Canon Color Bubble Jet printer. Package includes 50 sheets. Optimize output resolution to create nearphotographic images. This paper is great when you want highquality color output to produce winning reports and eye-catching graphics. Use with genuine Canon Photo Inks for true photoquality output. Package includes 100 sheets. Designed with four easy buttons the PCR100 lets you print, index, email and save images just by pushing a button. This paper yields a glossy finish and exceptionally rich color, giving your images the look and feel of a traditional photograph. Package includes 20 sheets. Package includes 20 sheets. Package includes 15 sheets. All circuit diagrams, trouble codes, user programs, troubleshooting and disassembly procedures, adjustments and installation instructions printers submitted in PDF. Troubleshooting is described according to problem descriptions as well as error indications by the status indicator, Appendix Block diagrams, location and signal assignment, Circuit diagrams. Service Manual Printers Canon BJC7000, BJC7004 Contents Safety and Precautions, Product Specifications, Operating Instructions, Technical Reference, Maintenance. Contents Product specifications, Maintenance, operation, Troubleshooting This part explains how to resolve problems of the unit, and contains information on how to locate and replace serviceable units and parts. Parts catalog, Circuit Diagram. Service Manual Desktop Page Laser Printer Canon LBP1260 Contents General description, Operation and timing, The mechanical system Disassembly, Reassembly and adjustment procedures, Installation, Maintenance and servicing, Troubleshooting, Appendix General timing chart, General circuit diagram, PSB circuit diagrams. Parts catalog LBP1760, LBP1760e. Circuit Diagram LBP1760, LBP1760e. Parts catalog LBP3000, LBP2900 series.

Circuit Diagram LBP3000, LBP2900 series. Contents Product description, Technical reference, Disassembly and assembly, Maintenance and inspection, Troubleshooting, Appendix. Parts catalog Pixma MP170, Pixma MP450, Pixus MP170, Pixus MP450. Reference This manual does not provide sufficient information for disassembly and reassembly procedures. Refer to the graphics in the separate Parts Catalog. A guide to troubleshooting the product and identifying the parts and units needing replacement. Troubleshooting is described according to problem descriptions as well as error indications by the status indicator. Block diagrams, information on the hardware technologies, and pin configurations. A guide to troubleshooting the product and identifying the parts and units needing replacement. Block diagrams, information on the hardware technologies, and pin configurations. A guide to troubleshooting the product and identifying parts needing replacement. Troubleshooting solutions are listed according to the error indications displayed by the status indicator and by problem descriptions. Block diagrams and information on the hardware's new technologies. Pin configurations. A guide to troubleshooting the product and identifying the parts and units needing replacement. Block diagrams, information on the hardware technologies, and pin configurations. CIRCUIT DIAGRAM PC1000s, PC1200s, imageCLASS D600s Contents Product outline, using the machine, installation, operation, mechanical system, maintenance and inspection, troubleshooting, appendix. If anyone has the service manual for a Canon s600 printer I would greatly appreciate it if you could send it to me. Also any links or ideas about where to search for this service manual would be much appreciated. And by having access to our ebooks online or by storing

it on your computer, you have convenient answers with Canon S600 Printer Service Manual.

To get started finding Canon S600 Printer Service Manual, you are right to find our website which has a comprehensive collection of manuals listed. Our library is the biggest of these that have literally hundreds of thousands of different products represented. I get my most wanted eBook Many thanks If there is a survey it only takes 5 minutes, try any survey which works for you. And by having access to our ebooks online or by storing it on your computer, you have convenient answers with Canon S600 Manual. To get started finding Canon S600 Manual, you are right to find our website which has a comprehensive collection of manuals listed. You may have to register before you can post click the register link above to proceed. To start viewing messages, select the forum that you want to visit from the selection below.

<http://www.raumboerse-luzern.ch/mieten/bosch-shv55m03gb-user-manual>