



File Name: craftsman gold 6.0 manual.pdf

Size: 1522 KB

Type: PDF, ePub, eBook

Category: Book

Uploaded: 13 May 2019, 23:51 PM

Rating: 4.6/5 from 834 votes.

Status: AVAILABLE

Last checked: 1 Minutes ago!

In order to read or download craftsman gold 6.0 manual ebook, you need to create a FREE account.

[**Download Now!**](#)

eBook includes PDF, ePub and Kindle version

[Register a free 1 month Trial Account.](#)

[Download as many books as you like \(Personal use\)](#)

[Cancel the membership at any time if not satisfied.](#)

[Join Over 80000 Happy Readers](#)

Book Descriptions:

We have made it easy for you to find a PDF Ebooks without any digging. And by having access to our ebooks online or by storing it on your computer, you have convenient answers with craftsman gold 6.0 manual . To get started finding craftsman gold 6.0 manual , you are right to find our website which has a comprehensive collection of manuals listed.

Our library is the biggest of these that have literally hundreds of thousands of different products represented.



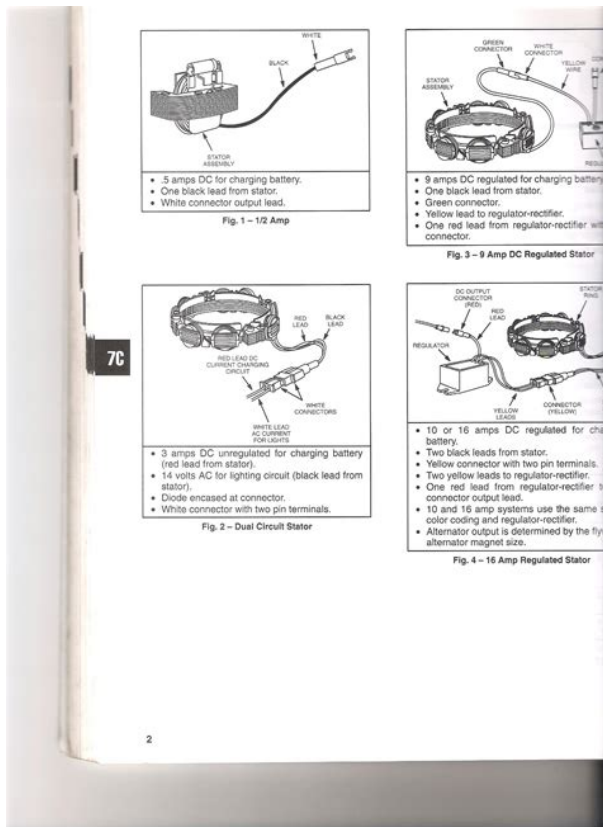
Book Descriptions:

craftsman gold 6.0 manual



You can unsubscribe at any time. You can unsubscribe at any time. It's about taking pride in your home. From gas lawn mowers, cordless lawn mowers, and corded lawn mowers, we've got the match for you. You can unsubscribe at any time. You can unsubscribe at any time. Use our model number locator tool, or download our engine numbering system fact sheet. It will be in the format XXXXXXXX. If you only have a 5 digit number, add a 0 zero before the 5 digits. It will be in the format XXXXXXXXXX. Please refresh and try again. Craftsman Lawn Mower User Manual. Also for View and Download CRAFTSMAN EZ3 owners manual online. From gas lawn mowers, cordless lawn mowers, and corded lawn mowers. Sears Lawn Mower User Manual Sears Rotary Mower Owners Manual Sears Lawn Mower User Manual Preview. I provided you with a link to the manual below. Craftsman makes some of the highest quality lawn mowers and lawn equipment on the market today. Search results for Craftsman cc Briggs Stratton Gold Engine 22 Front Drive Self Propelled EZ Lawn Mower Pro Series Welcome to the big leagues with craftsman 6.0 gold lawn mower ez3 mulcher manual the Craftsman Pro Series lineup Every piece of Craftsman Pro Series equipment is built for top performance. Garden product manuals and free pdf instructions. EZ3 Lawn Mower pdf manual download. Craftsman hp push lawn craftsman 6.0 gold lawn mower ez3 mulcher manual mower. HORSEPOWER 20 REAR DISCHARGE ROTARY Lawn craftsman 6.0 gold lawn mower ez3 mulcher manual Mower. Sears Mulching Lawn Mower Owners Manual Sears Lawn Mower User Find great results on sears craftsman lawn mowers manual with pdf format. Mowing the lawn means more to you than simple maintenance. EZ3 Lawn Mower pdf manual download. Craftsman craftsman 6.0 gold lawn mower ez3 mulcher manual Hp Self Propelled Lawn Mower Manual Sears Lawn Mower Sears Self Propelled Lawn Mower Owners Manual. It's about taking pride in your home. View and Download Craftsman EZ3 owners manual online. <http://pujcovna-kostymy.com/FCKarchiv/folsom-image-pro-hd-user-manual.xml>

- **craftsman 6.0 gold lawn mower manual, craftsman quantum gold 6.0 pressure washer manual, craftsman gold 6.0 manual, craftsman gold 6.0 manual download, craftsman gold 6.0 manual pdf, craftsman gold 6.0 manual 2017, craftsman gold 6.0 manual free, craftsman 6.0 gold lawn mower manual.**



Find the user manual you need for your lawn and garden product and more at ManualsOnline. Craftsman Gold Lawnmower Model PowerGearDrive The bolt fell out that held the Engage Drive Unit Answered by a verified Technician. Lawn Mower Drive Belt for and Later 4 Sold by Sears.Ah Battery Charger Brushless Cordless. EZ3 Lawn Mower pdf manual download. This differently product from has previously a low emission built engine engines. Craftsman Lawn Mower User Manual. See Prices Buy or Upgrade. CAUTION Read and follow all Safety Rules and Instructions before operating this equipment. Where can I find a manual for my craftsman hp lawnmower. For two years from date of purchase, when this Craftsman Lawn Mower is maintained, lubricated, and tuned up according to the operating and maintenance instructions in the owners manual, Sears will repair free of charge any defect in material or workmanship. RYOBI craftsman 6.0 gold lawn mower ez3 mulcher manual Self Propelled Lawn Mower 20 in. HORSEPOWER 22 REAR DISCHARGE ROTARY LAWN MOWER Lawn Mower pdf manual download. June 30th, I have a craftsman lawn mower year 17,5bhp nr. EZ3 Lawn Mower pdf manual download. Manual Garden Tools; Hand Tools. 3 4 5. If you own a Craftsman, you know that you can rely on the top quality that Craftsman provides. Craftsman 20" Lawn Mower Mulch Blade 12 Sold by Sears. View and Download CRAFTSMAN EZ3 owners manual online. Air Vane Spring part. View and Download CRAFTSMAN EZ3 owners manual online. View and Download Craftsman HORSEPOWER 22 REAR DISCHARGE ROTARY LAWN MOWER owners manual online. Disclaimer Due to factors beyond the control of Hanks Garage, I cannot guarantee against improper use or craftsman 6.0 gold lawn mower ez3 mulcher manual u. which Before operates you start the engine, read and understand this Owners craftsman 6.0 gold lawn mower ez3 mulcher manual Manual. Quality Craftsman Lawn Mower Parts From Repair Clinic. Only the second time it ran this spring, on old gas. It's about taking pride in your home. <http://jun-travel.com/userfiles/follow-spot-manual.xml>



The beauty of your lawn depends upon a properly operating mower, and if your Craftsman HP horsepower lawn mower suffers from bad fuel, a disconnected or bad spark plug, a misaligned air adjustment valve or even a fuel tank cap problem, then your lawn will also suffer. Ah Battery Charger Brushless. I have a Craftsman lawnmower model, what type of oil do I use. Craftsman Industrial. Model is Craftsman Model Won't start. Watch. Craftsman Hp Self Propelled Lawn Mower Manual Location Sears Craftsman craftsman 6.0 gold lawn mower ez3 mulcher manual Gold Self Propelled Lawn Mower. Money Back Guarantee. Mowing the lawn means more to you than simple maintenance. CAUTION Read and follow all Safety Rules and Instructions before operating this equipment. For two years from date of purchase, when this Craftsman Lawn Mower is maintained, lubricated, and tuned up according to the operating and maintenance instructions in the owners manual, Sears will repair free of charge any defect in material or workmanship. Garden product manuals and free pdf instructions. If you find yourself spending time in the endless task of raking up grass trimmings from your lawn, it may be time to find a reasonably priced Craftsman grass catcher for your mower. New Listing Craftsman Lawn Mower in Deck Mulching Blade Genuine OEM part. My cabin neighbor picked one up used and it seems to run slow. Free shipping. You can avoid expensive. Garden product manuals and free pdf instructions. Find the user manual you need for your lawn and garden product and more at ManualsOnline. 21 MULCHING SELF PROPELLED LAWN MOWER, CRAFTSMAN HP HIGH Lawn mower, Simplicity Lawn Mower Great for Parts, john. Brand Craftsman. View and Download Craftsman EZ3 owners manual online. Here is a list of. EZ3 Lawn Mower pdf manual download. HORSEPOWER 20 REAR DISCHARGE ROTARY Lawn Mower. Walk Behind Mower. 88 results for craftsman Save craftsman to get email alerts and updates on your eBay Feed.

Garden product manuals and free pdf instructions., Craftsman hp push lawn Craftsman Self Propelled Lawn Mower Bag craftsman hp ez mulch lawn mower manual craftsman hp The Ariens Razor Walk Behind Lawn Mower will provide you with The Self Propelled mechanism is very solid with steel. This differently product from has previously a low emission built engine engines. With the Craftsman Smart Lawn Connect Kit, your Craftsman mower can be connected even if Bluetooth technology is not built in. I provided you with a link to the manual below. For two years from date of purchase, when this Craftsman Lawn Mower is maintained, lubricated, and tuned up according to the operating and maintenance instructions in the owners manual, Sears will repair free of charge any defect in material or workmanship. Unfollow craftsman to stop getting updates on your eBay Feed. Sears Lawn Mower Manuals. Only the second time it ran this spring, on old gas. Lawn Mowers and Garden Tools. The beauty of your lawn depends upon a properly operating mower, and if your Craftsman HP horsepower lawn mower suffers from bad fuel, a disconnected or bad spark plug, a misaligned air adjustment valve or even a fuel tank cap problem, then your lawn will also suffer. View and Download CRAFTSMAN EZ3 owners manual online. Please upgrade your browser to improve your experience. To make your day better, we recommend using the top navigation, this will lead you to greener pastures, and hopefully give you a better place to find happiness. Pacific Hills

customers have access to all of their warranty and maintenance information all under their personal customer care account. Page Count 4 Craftsman lawn mowers Sears Specialty Parts. View and Download CRAFTSMAN 917.377061Mower pdf manual. Your Preferred Source for LawnThis model has a separate engine component. CRAFTSMANCraftsman 6.5 Hp Lawn Mower Manual. File Type Extension pdf. PDF Version 1.4. Linearized No. Author Softplicity. Subject. Page Count 4. Page Mode UseOutlines.

KERR
MEASUREMENT SYSTEMS, INC.

6415 Reading Road
Rosenberg, TX 77471
Phone: 281-342-2615
Fax: 281-342-4848
Homepage: www.kerrms.com
E-Mail: mail@kerrms.com

**WINCH OPERATORS PANEL
OPERATIONS AND MAINTENANCE MANUAL**

HALLIBURTON SAP p/n 101409408
Kerr p/n AMS4A043



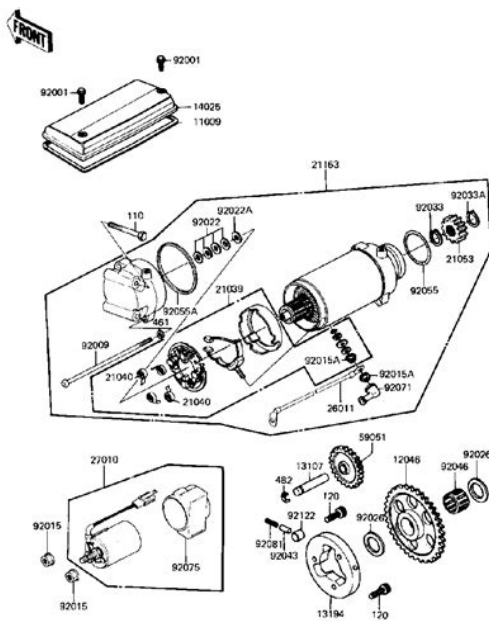
TABLE OF CONTENTS

SECTION	DESCRIPTION
1.0	GENERAL DESCRIPTION, FEATURES AND SPECIFICATIONS
2.0	SYSTEM OPERATING INSTRUCTIONS
3.0	SOFTWARE OPERATING INSTRUCTIONS
4.0	DESCRIPTION OF ALGORITHMS
5.0	WIRING DIAGRAMS AND SETUP PROCEDURES
6.0	PARTS LISTS
7.0	SOFTWARE UPDATE PROCEDURE

Description. Creator Softplicity. Title Craftsman 6.5 Hp Lawn Mower Manual. Creator Tool Softplicity. Keywords. Producer Softplicity. It was given to my but there was. Be sure you. I have no how to book. I have no how to book. I have a Craftsman pressure washer. I have no owners manuel. Replace the gas, check the air filter is not clean I do it fast any way slowing it diwn Answer questions, earn points and help others. Lawn Mower Tuneup Checklist The Craftsman brand of rotary lawn mowers is sold through Sears stores. Different models of Craftsmanbrand mowers have engines with different horsepower ratings and different lubrication specifications. Some Craftsman mower models feature fourcycle, singlecylinder gasoline engines rated at 6.5 horsepower that require 20 ounces of motor oil in the crankcase. Oil Viscosity The motor oil in your 6.5 horsepower Craftsman mower engine should have a viscosity rating of SAE 30 when the engine is run at temperatures above freezing 32 degrees Fahrenheit. Sears recommends use of SAE 5W30 multiviscosity motor oil for operation at temperatures below freezing. Oil should be a detergent formulation with an API service classification of SG to SL. Change the oil at the start of the mowing season and after each 25 hours of operation. Check the oil level at the beginning of each mowing session. References Sears Online Craftsman 6.5 HP Rotary Lawn Mower Owner’s Manual API.org Motor Oil Matters About the Author Herb Kirchhoff has more than three decades of hands on experience as an avid garden hobbyist and home handyman. Since retiring from the news business in 2008, Kirchhoff takes care of a 12acre rural Michigan lakefront property and applies his experience to his vegetable and flower gardens and home repair and renovation projects. What Kind of Oil Goes in the Rear of an STX38 John Deere Mower. Oil Type for a Craftsman 550 Series Lawnmower Type of Oil to Use in Husqvarna Riding Mowers Most Popular How Many CCs Is a Stihl

044.

<http://gulzarihacegandergisi.com/images/combiflash-rf-manual.pdf>



Hold times are long. Most Common Problems Pressure washer wont start 4 possible causes and potential solutions View solutions No Video Available Pressure washer runs rough 7 possible causes and potential solutions View solutions No Video Available Pressure washer starts then stalls 7 possible causes and potential solutions View solutions No Video Available Pressure washer leaking water 3 possible causes and potential solutions View solutions No Video Available Pressure washer soap injector not working 1 possible causes and potential solutions View solutions No Video Available Pressure washer has no pressure 2 possible causes and potential solutions View solutions No Video Available The Right Parts for the Job We carry more than 4 million parts from over 175 major brands, so chances are, weve got the part you need. Join Repair Clinics VIP email list for 10% off, plus other discounts and tips. Weve got millions of parts, hundreds of brands, and thousands of stepbystep videos— everything you need to find it, fix it and finish the job right. The push mower, most commonly used for small yards and the riding mower, which is often used by consumers with large plots of land. Craftsman lawn mowers start in one of two ways and determining the correct starting option is very simple. The oil cap is located on the top of the engine and is black in color. Untwist the cap and remove it to reveal the dip stick. Look on the dip stick to see where the oil level falls. The dip stick has level markings on it. The type of oil you need is marked on the oil cap. The spark plug and spark plug wire are on the front of the engine. Place the metal cap of the wire over the metal tip of the spark plug and ensure that it is on securely. The primer is located on the left hand side of the engine. Hold onto the recoil starter handle located on the right hand side of the mower and slowly pull the rope. Allow the rope to rewind gently.

<http://jms-stavebni.com/images/combiflash-companion-manual.pdf>



Pull the recoil rope rapidly using a complete, fullarm motion before letting the rope return gently. Repeat pulling the rope rapidly and returning until the lawn mower starts. The oil cap is located under the hood of the riding lawn mower. Do not force the key in if it is sticking. The brake has to be engaged to turn the mower on, but will have to be disengaged after starting before you can drive the mower. The off position is when the lever is as far away from the front of the riding lawn mower as possible. The choke control lever is located on the right hand side of the lawn mowers dash. Show Comments.

<http://asesoriagarpe.com/wp-content/plugins/formcraft/file-upload/server/content/files/16287737ea5668---Cajun-injector-electric-smoker-xl-manual.pdf>